



I 3200

Data Sheet
Epson Inkjet Head I Series



1. PrecisionCore Technology

- a. All MEMS manufacturing and thin film piezo element can realize high precision and high density(600 npi / 2 rows of nozzles). Contributes to compact, high speed, high quality, and high image quality.
- b. Precision made of Epson unique MEMS nozzles and an ink flow path ensure the perfectly round ink droplets are placed accurately and consistently.

2. Support for grey-scale

Epson's unique Variable Sized Droplet Technology (VSDT) delivers smooth gradation by freely control to eject the droplet volume.

3. High resolution

Ink ejection of up to 4 colours realize with high resolution (600 dpi/colour). In addition to the I3200, I1600 has also been added to the lineup in order to meet the various customer needs.

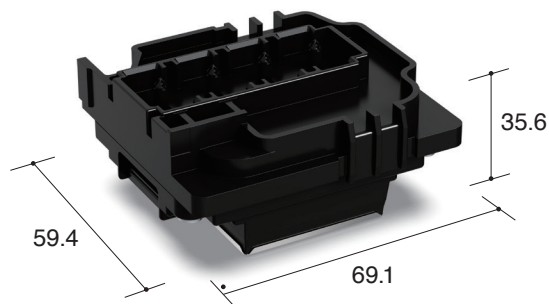
4. High durability

PrecisionCore print head has proven high durability and extended service life by Epson's industrial printers.

Product Specifications

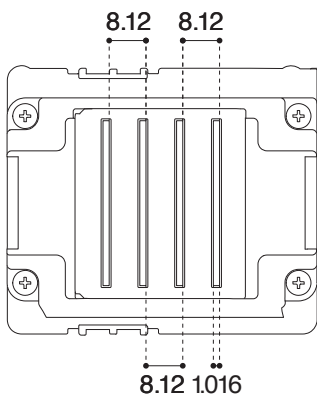
Product name	I 3200-U1	I 3200-E1	I 3200-A1
Ink type	UV	Eco Solvent	Aqueous
Type	PrecisionCore MicroTFP printhead		
WidthxDepthxHeight	69.1x 59.4 x 35.6 mm		
Weight	82 g		
Number of nozzle	3200		
Nozzle pitch/nozzle row	1/300 inch		
Nozzle rows	8 rows		
Nozzle Resolution	300 npi /row 600 npi/2 rows		
Max. number of colour inks	4 colours		
Effective print width	33.8 mm (1.33 inches)		
Jetting frequency	43.2 kHz (Single mode)		
	21.6 kHz (Multi mode)		
Droplet volumes	5 pl (Single mode)		6 pl (Single mode)
	6, 12.5 pl (Multi mode)		6.3, 1 2.3 pl (Multi mode)
Viscosity range	5-7 mPa·s		3-4 mPa·s
Positioning Mechanism	Reference hole		

Product size (mm)

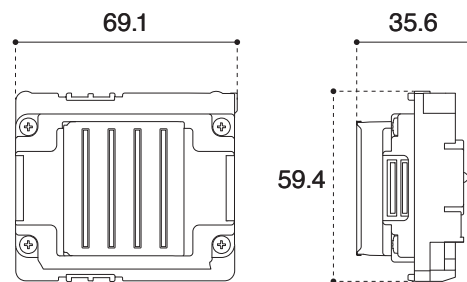


打印头本体上的
爱普生正品标签

Nozzle (mm)



External dimensions (mm)



EPSON CHINA

F4 Tower 1, China Central Place, 81 Jianguo Road, Chaoyang District, Beijing, 100025, PRC
www.epson.com.cn 官方微信/微博: 爱普生中国
 服务导购热线: 400-810-9977 爱普生官方天猫旗舰店: epson.tmall.com

图片仅供参考, 外观以实物为准。本说明若有任何细节之更改, 恕不另行通知。
 爱普生(中国)有限公司在法律许可的范围内对以上内容有解释权。



爱普生官方网站



爱普生官方微信



爱普生官方微博